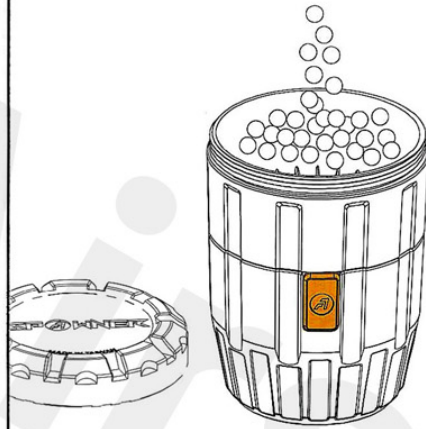
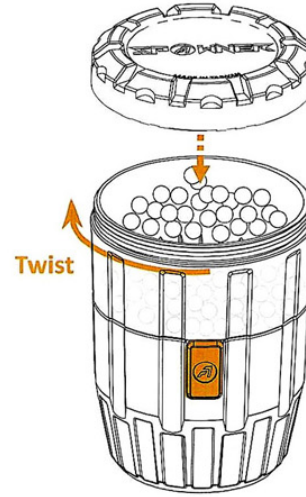


1 Rotate the lid counterclockwise to open.



2 When filling BB pellets, do not fill completely and leave some space.

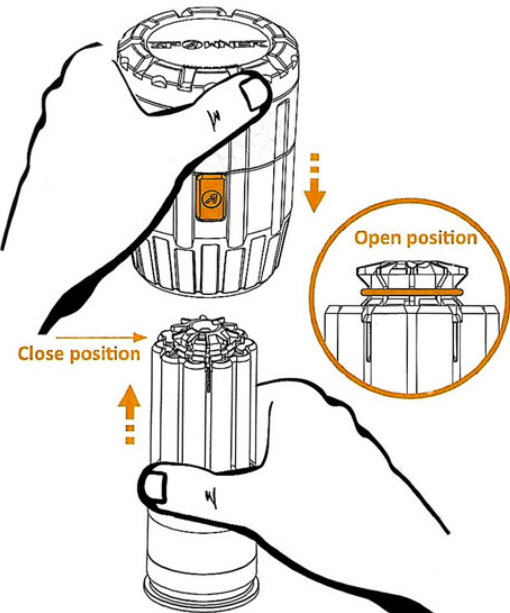


3 Rotate the lid clockwise to lock it securely.

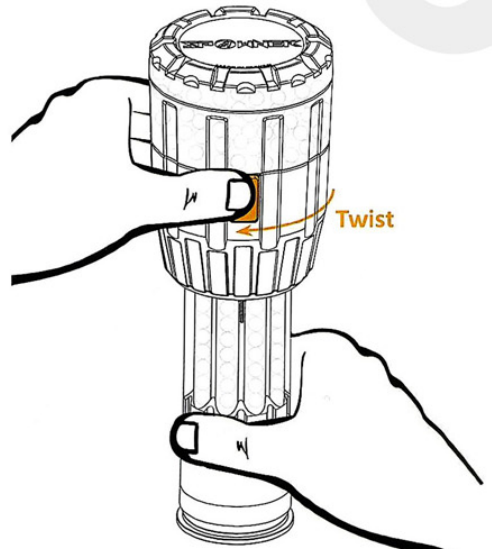
SPAWNER



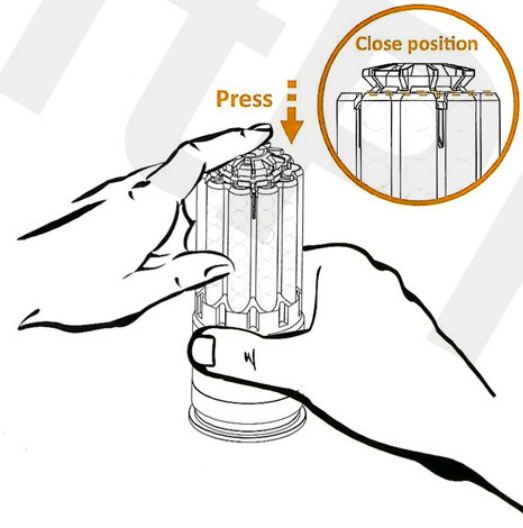
Do not tilt or invert when filling BB pellets.



4 Combine the SPAWNER with AceHive. (Make sure the block button of ACEHIVE is in the open position.)

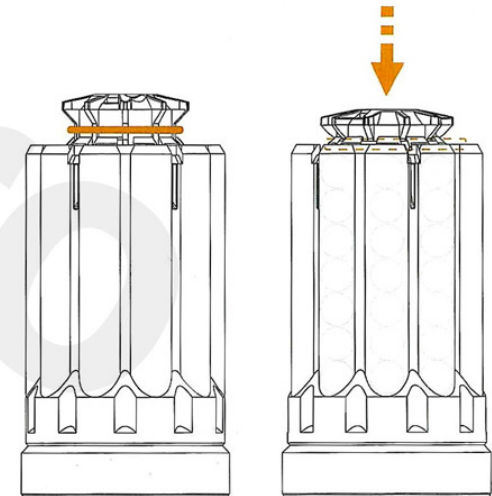


5 Press and hold the button while rotating clockwise. Once the BB pellets are filled into AceHive, release the button to remove them.



6 Press the block button briefly to close it.

ACEHIVE



Open

Close